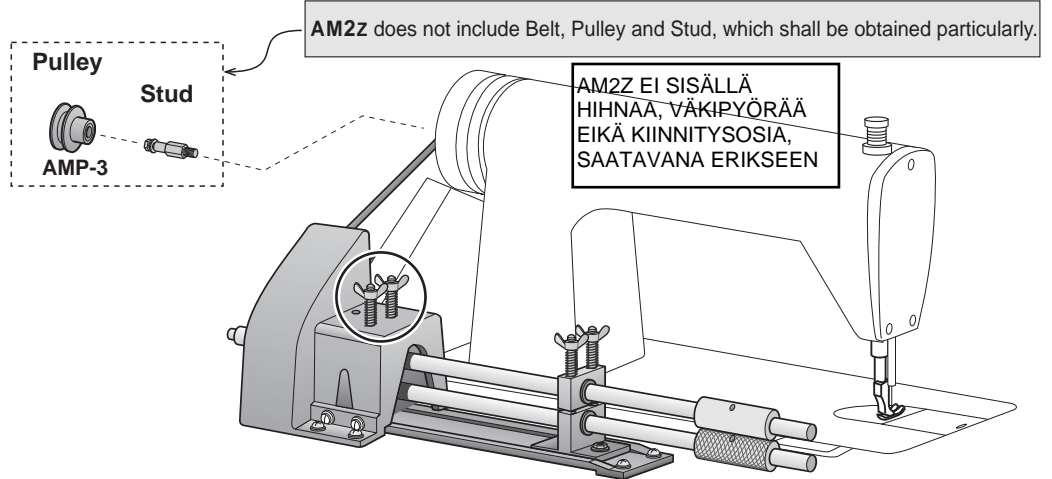
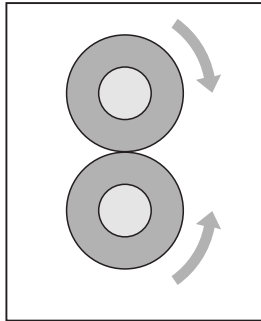


APPAREILES
APARATOS

VORRICHTUNGEN
装置

SUISEI®

AM2Z Regular Cloth Puller NORMAALI KANGASPULLERI



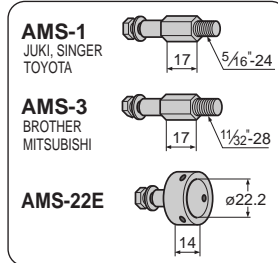
● If interlocking of the gears is wrong for reasons of abration of gears, shafts or nylon bushes, please tighten and adjust both butterfly nuts at input side.

Components for AM2Z AM2Z OSAT

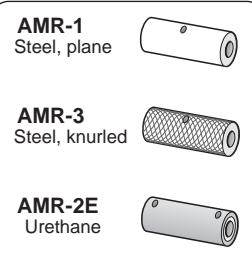
Parts List

Parts No.	Q'ty	Description
AM2P-1	1	"V" Pulley
-2	1	Clutch Wheel with Gear
-3	1	Large Gear
-4	2	Medium Gear
-5	2s	Upper and Lower Bracket Complete
-6	4+4	Tension Spring
-7	1	Upper Shaft
-8	1	Lower Shaft
-9	1	Clutch Spring
-10	1s	Clutch Spring Complete
-11	2+2	Nylon Bushing
-12	1	Mount Base
-13E	1	Gear Cover
-15	2	Collar
-17	2,2,2	Screws, washers and spacers set

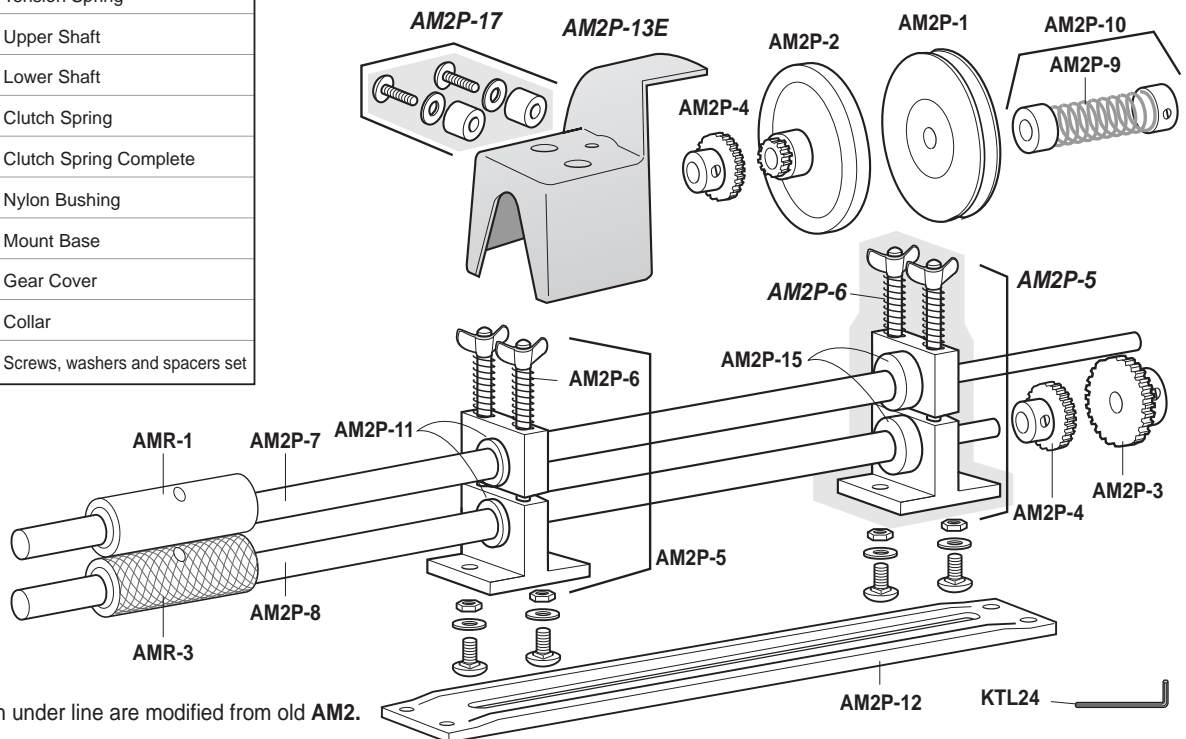
Studs



Rollers



Studs and Rollers are available at extra cost.



● Parts numbers with under line are modified from old AM2.