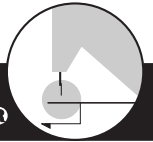


SINGLE TURN FELLERS, REUNANKÄÄNTÖPALLISTJAT

Attachments



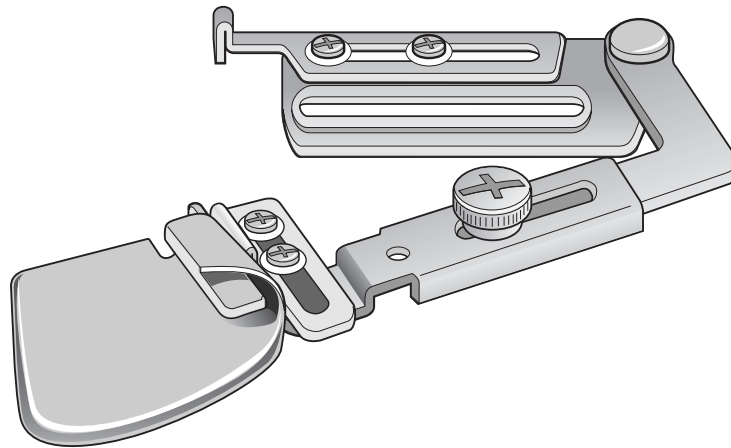
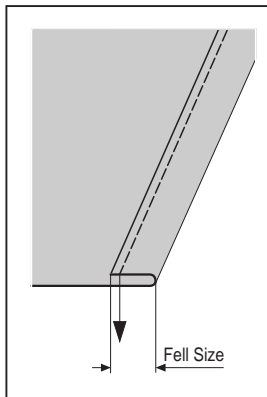
RABATTEURS
DOBLADILLADORES

KAPPNAHTAPPARATE
单折褶缝器

SUISEI®

A7SU- 5~25

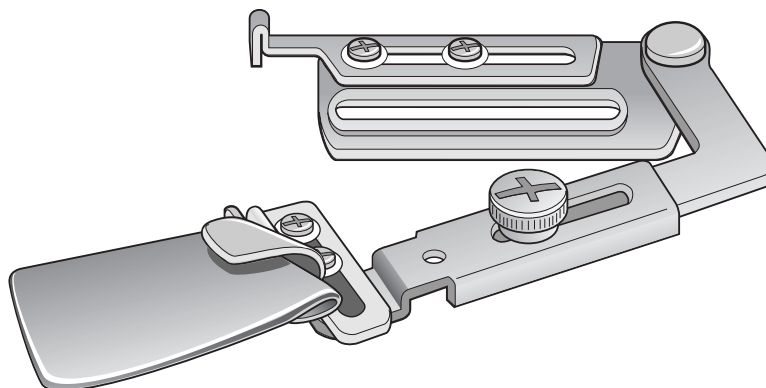
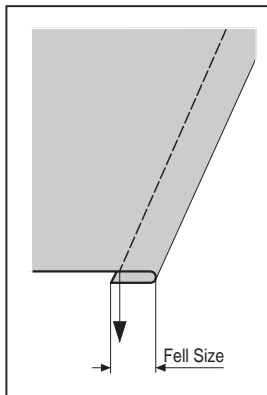
Single Upturn Feller
YLÖS KÄÄNTÄVÄ



Fell Sizes	
5 mm	3/16 "
6 "	1/4 "
8 "	5/16 "
10 "	3/8 "
13 "	1/2 "
15 "	9/16 " (5/8 ")
20 "	13/16 " (3/4 ")
25 "	1 "

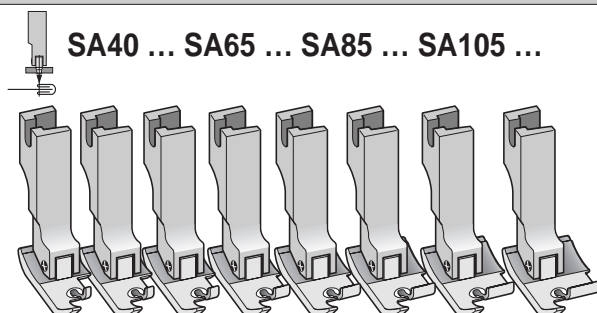
A7SD- 5~25

Single Downturn Feller
ALAS KÄÄNTÄVÄ

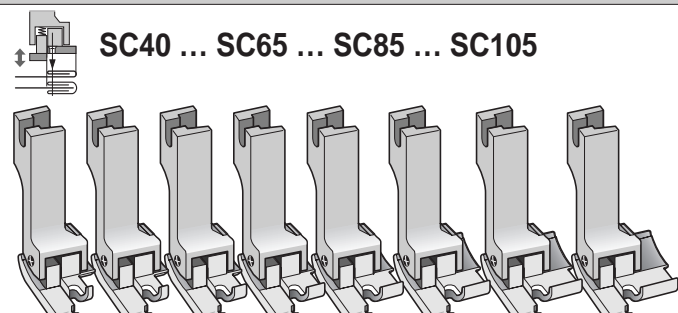


Fell Sizes	
5 mm	3/16 "
6 "	1/4 "
8 "	5/16 "
10 "	3/8 "
13 "	1/2 "
15 "	9/16 " (5/8 ")
20 "	13/16 " (3/4 ")
25 "	1 "

Applicable parts for "A7SU" and "A7SD" (at extra cost) LISÄOSAT



• Easy operation for small curving edge. Ref. ➔ P.23

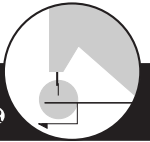


• Stabler stitch margin and easy operation for curving edge. Ref. ➔ P.24



SINGLE TURN FELLERS, REUNANKÄÄNTÖPALLISTAJAT

Attachments

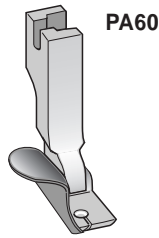
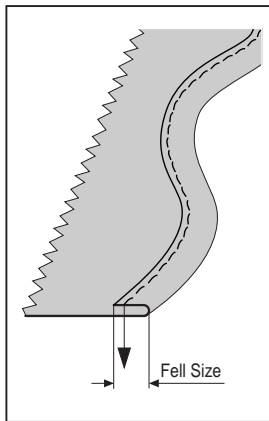


RABATTEURS
DOBLADILLADORES

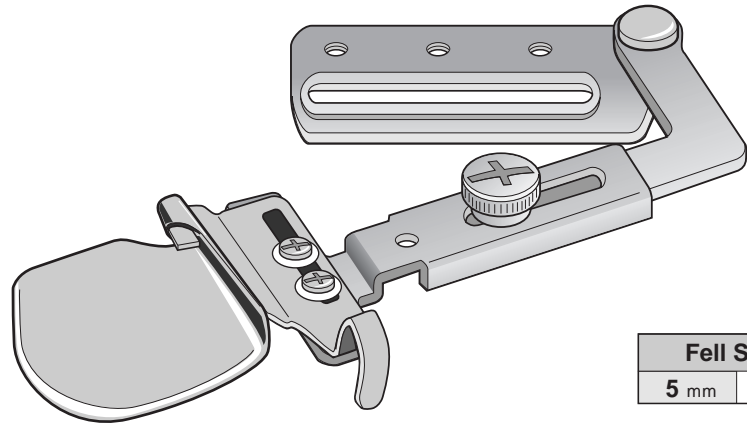
KAPPNAHTAPPARATE
单折褶缝器

SUISEI®

A60-5 Swing Feller



PA60

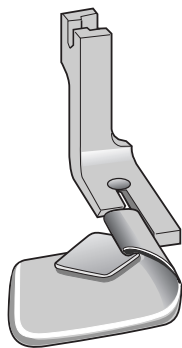
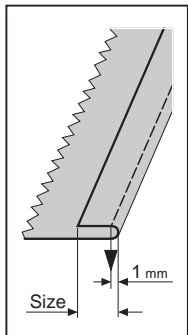


Fell Size	
5 mm	3/16"

- For curve edge on thin or medium materials.

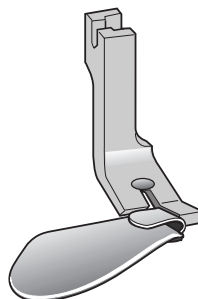
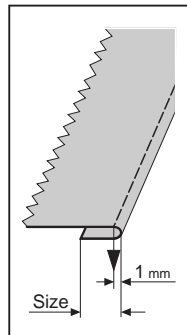
Includes presser foot, levelling plate, screws and washer.

H5017 Upturn Top Stitch Feller Foot



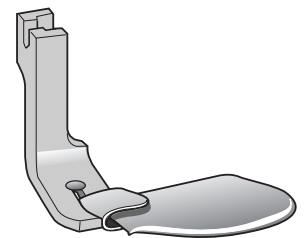
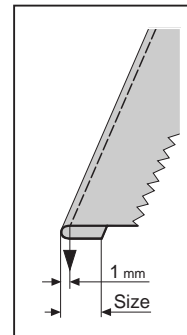
3/16"	4.8 mm
1/4"	6.4 "

H5019 Downturn Top Stitch Feller Foot



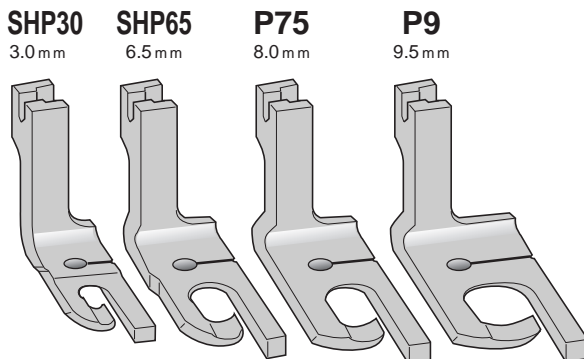
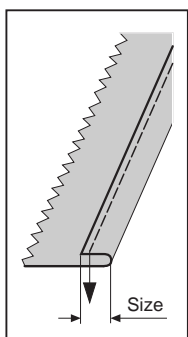
3/16"	4.8 mm
1/4"	6.4 "

H5019R Reverse Downturn Top Stitch Feller Foot



3/16"	4.8 mm
1/4"	6.4 "

SHP30, SHP65, P75, P9 Feller Feet



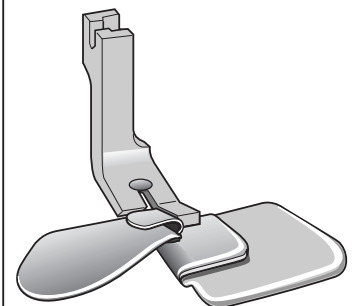
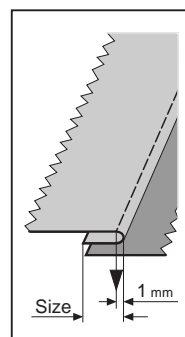
SHP30
3.0 mm

SHP65
6.5 mm

P75
8.0 mm

P9
9.5 mm

H5020 Top Stitch Joiner Foot



3/16"	4.8 mm
1/4"	6.4 "