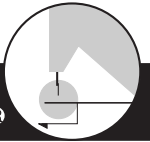


# HEMMERS, PÄÄRMÄYSPALLISTAJAT

Attachments



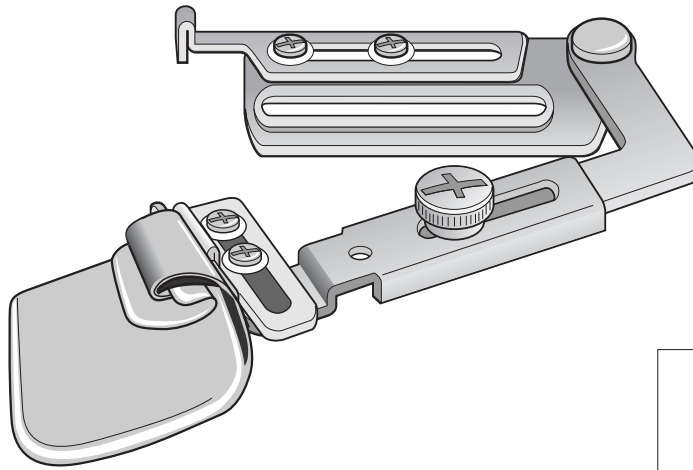
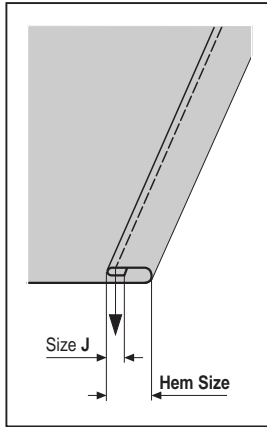
OURLEURS  
REPULGADORES

SÄUMER  
卷边器

SUISEI®

## A11S- 6~50

J-type Swing Hemmer  
KÄÄNNETTÄVÄ PALLISTAJA (J-TYYPPI)



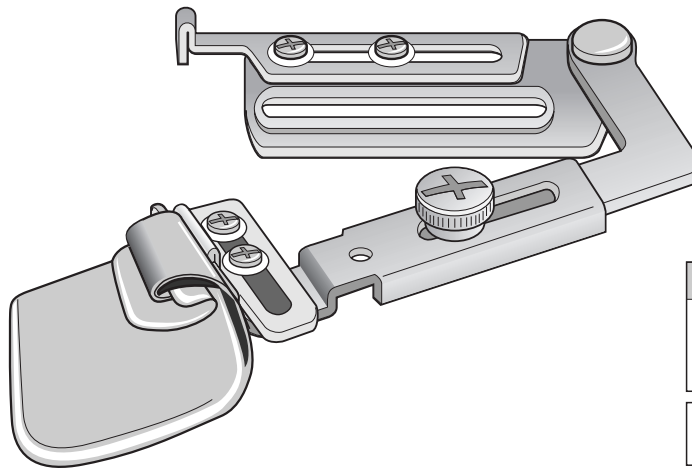
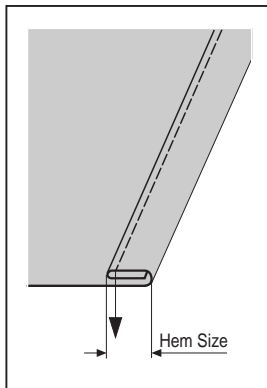
Hem Sizes		Sizes J
6 mm	1/4 "	3 mm
8 "	5/16 "	3 "
10 "	3/8 "	5 "
13 "	1/2 "	6 "
15 "	9/16 "	6 "
18 "	11/16 "	7 "
20 "	13/16 "	7 "
25 "	1 "	8 "
30 "	1 3/16 "	9 "
35 "	1 3/8 "	9 "
40 mm	1 9/16 "	9 mm
45 "	1 3/4 "	10 "
50 "	2 "	10 "

A72L- 45 mm modified → A11S- 45 mm  
A72L- 50 mm → A11S- 50 mm

Hemmers 40mm, 45mm and 50mm have the different swing bracket from this illustration.

## A110S- T8, T10, T15, M10, M15

Full Fold Swing Hemmer

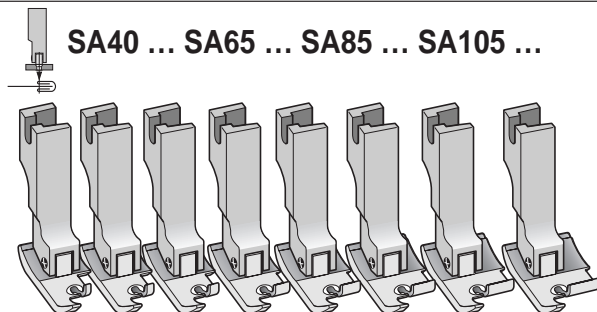


Hem Sizes		
Thin mat.	T 8 mm	5/16 "
	T 10 "	3/8 "
	T 15 "	9/16 "
Medium mat.	M 10 mm	3/8 "
	M 15 "	9/16 "

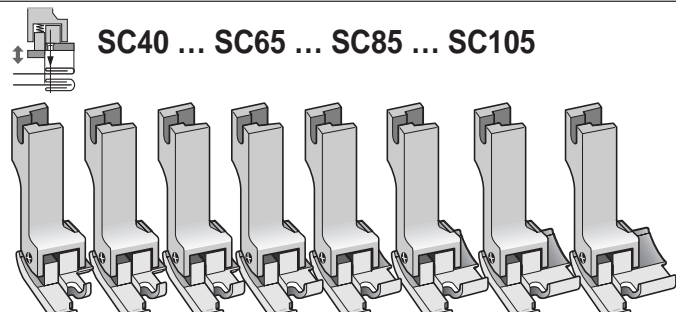
• For fully folding in the hem of fabric.

Applicable parts for "A11S" and "A110S" (at extra cost)

LISÄOSAT



• Easy operation for small curving edge. Ref. → P.23



• Stabler stitch margin and easy operation for curving edge. Ref. → P.24



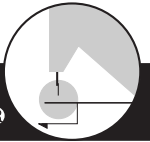
# HEMMERS, PÄÄRÄMÄYSPALLISTAJAT

OURLEURS  
REPULGADORES

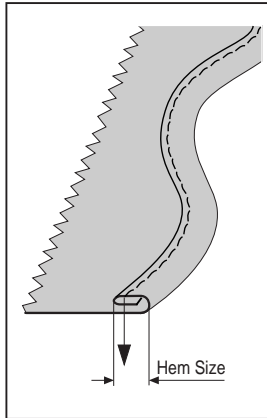
SÄUMER  
卷边器

Attachments

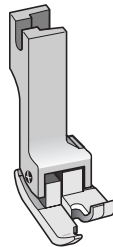
SUISEI®



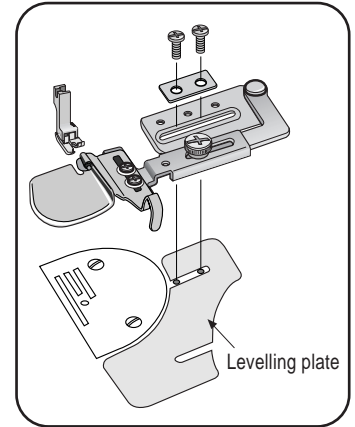
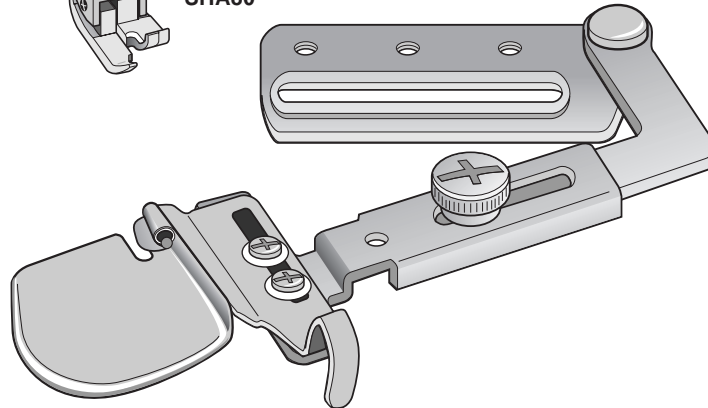
## A50- 3~8 Swing Hemmer <Small Size> KÄÄNNETTÄVÄ PALLISTAJA (PIENI)



Includes presser foot, levelling plate, screws and washer.



SHA30  
SHA40  
SHA50  
SHA60  
SHA70  
SHA80



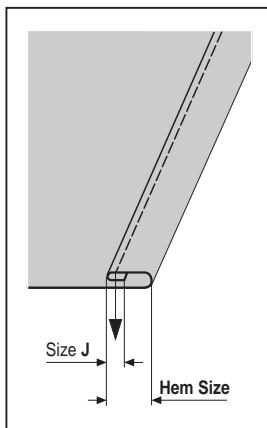
Levelling plate

- For curve edge on thin or medium materials.

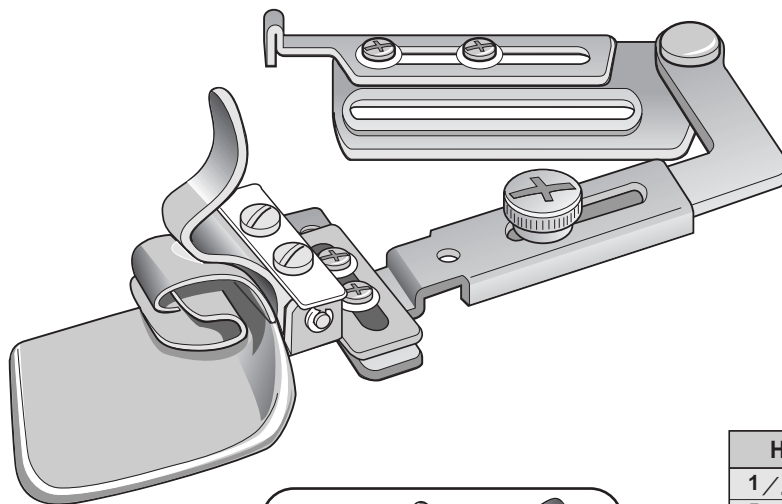
Hem Sizes	
3 mm	1/8 "
4 "	5/32 "
5 "	3/16 "
6 "	1/4 "
7 "	9/32 "
8 "	5/16 "

It is very difficult to hem with hemmer foot.  
This hemmer set is designed and manufactured  
to resolve the difficulty and enables operators as  
even beginners to be skillful hemming.

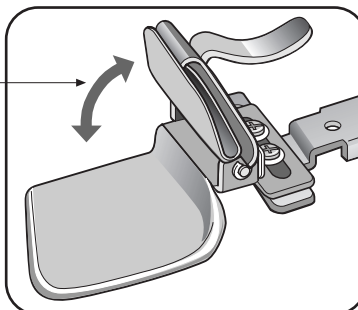
## A78S- 1/4~1" Latch Hemmer



- For medium or heavy materials.



Snap up the folder by pressing on  
handle when hemming circular  
garments or heavy cross seams.



Hem Sizes		Sizes J
1/4 "	6.4 mm	4 mm
5/16 "	8.0 "	4 "
3/8 "	9.5 "	5 "
1/2 "	12.7 "	6 "
5/8 "	15.9 "	7 "
3/4 "	19.0 "	8 "
1 "	25.4 "	9 "

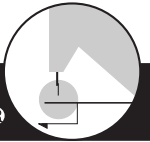
# HEMMERS, PÄÄRMÄYSPALLISTAJAT

Attachments

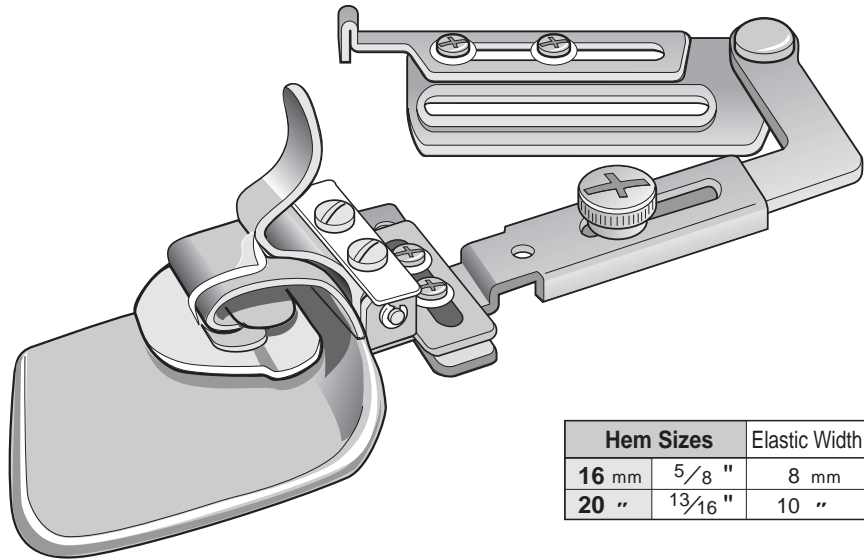
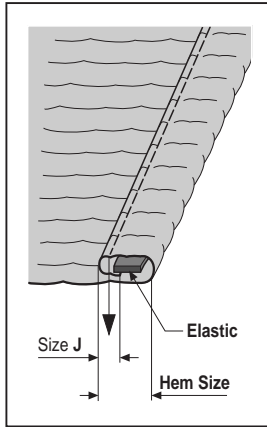
OURLEURS  
REPULGADORES

SÄUMER  
卷边器

SUISEI®



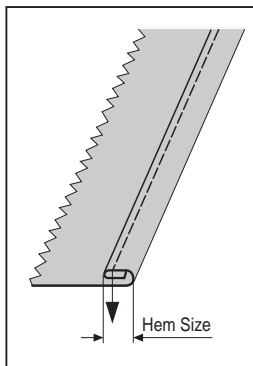
## A43L- 16, 20 Latch Elastic Hemmer



Hem Sizes	Elastic Width	Sizes J
16 mm	5/8 "	8 mm
20 "	13/16 "	10 "

## H6010- 1/16~1/4 Ball Hemmer Feet

PAININJALAT (PALLO)



H6010-1/16

1.6mm

H6010-1/8

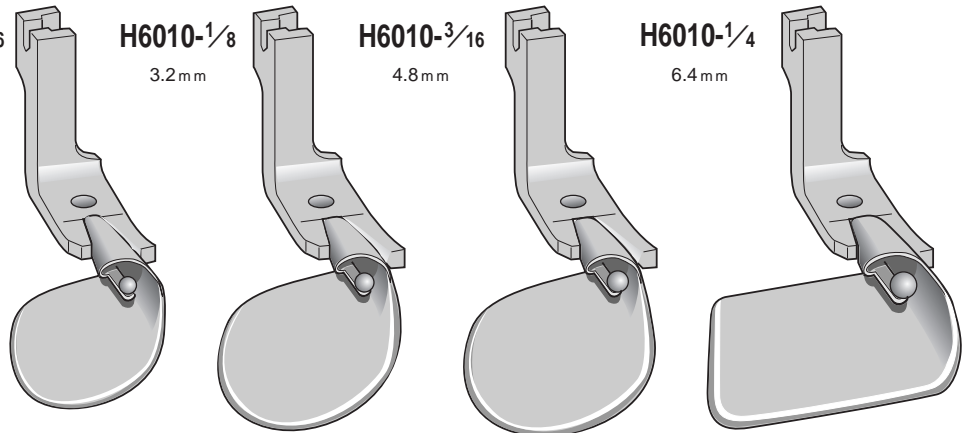
3.2mm

H6010-3/16

4.8mm

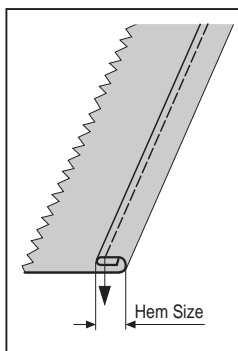
H6010-1/4

6.4mm



- For straight edge on light materials.

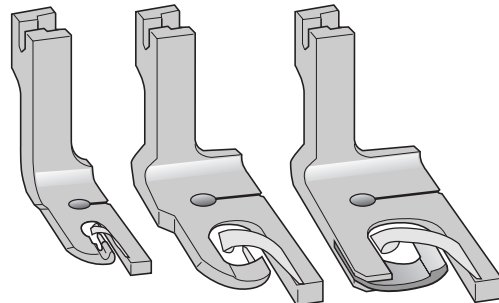
## 1 1/2, SH80, 095 Hemmer Feet



1 1/2  
2.0mm

SH80  
8.0mm

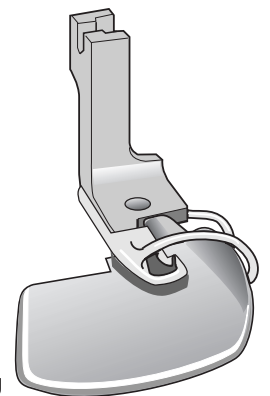
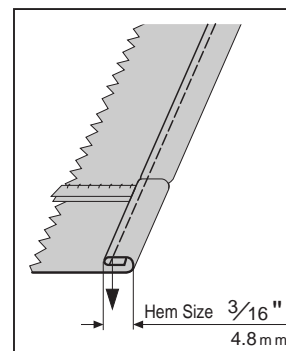
095  
11.0mm



- These feet will be discontinued, and then [A50] small swing hemmer is recommended for them.

Ref. ➔ P.33

## H5018- 3/16 Spring Wire Hemmer Foot



- For straight edge and spring allows even cross seams to pass through freely.