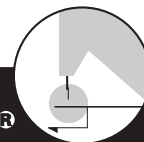


STRAIGHT FOLDERS

Attachments

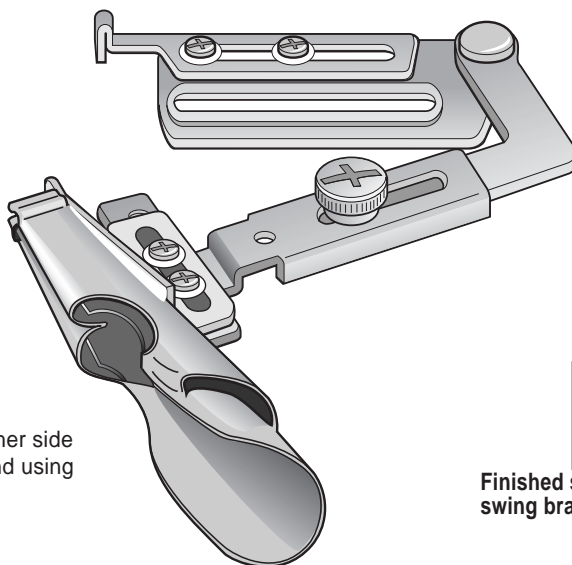
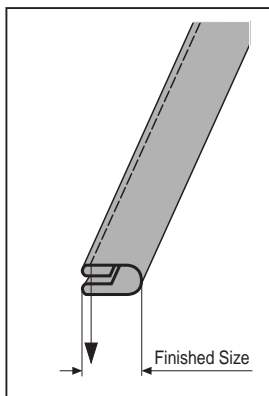


BORDEURS
RIBETADORES

BANDEINFASSER FÜR GERADE NÄHTE
直线褶边器

SUISEI®

A5S- 5~40 Belt Loop Folder VYÖLENKKIPALLISTAJA



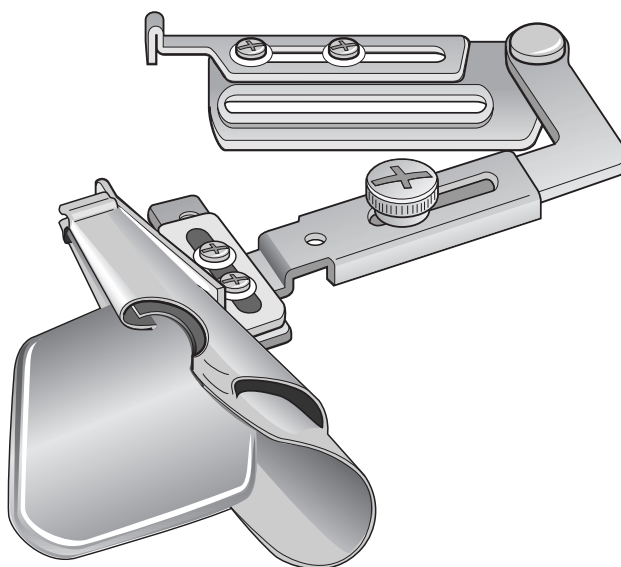
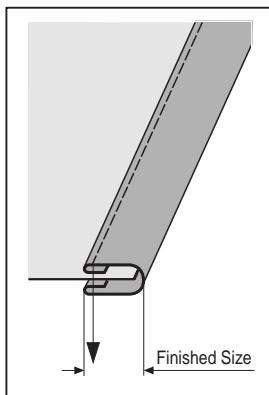
Tape Sizes	Finished Sizes	
18 mm	5 mm	3/16 "
26 "	8 "	5/16 "
30 "	10 "	3/8 "
36 "	12 "	1/2 "
45 "	15 "	9/16 "
52 "	18 "	11/16 "
58 "	20 "	13/16 "
70 "	24 "	15/16 "

82 mm	30 mm	1 3/16 "
105 "	40 "	1 9/16 "

Finished sizes 30mm and 40mm have the different swing bracket from this illustration.

- Easy stitching on the corner or the other side of the belt by swinging folder away and using the adjustable guide as a gauge.

A5BS- 8~24 Straight Folder

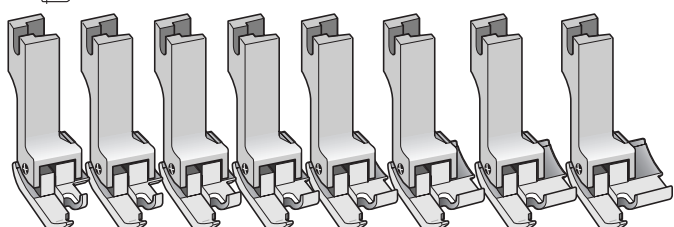


Tape Sizes	Finished Sizes	
26 mm	8 mm	5/16 "
30 "	10 "	3/8 "
36 "	12 "	1/2 "
45 "	15 "	9/16 "
52 "	18 "	11/16 "
58 "	20 "	13/16 "
70 "	24 "	15/16 "

Applicable parts for "A5S" and "A5BS" (at extra cost)



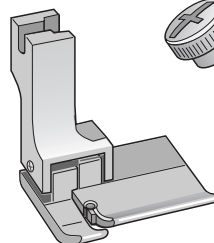
SC40 ... SC65 ... SC85 ... SC105



- Stabler stitch margin and easy operation for curving edge.

Ref. → P.24

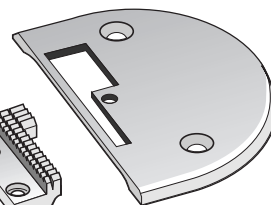
CHW



SA



12411



12457

Ref. → P.40