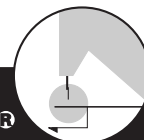


# BINDING FEET, ERIKOISJALAT

Attachments



PIEDS POUR BORDEURES ET OURLEUR  
PIES PRENSATELA PARA RIBETADORES

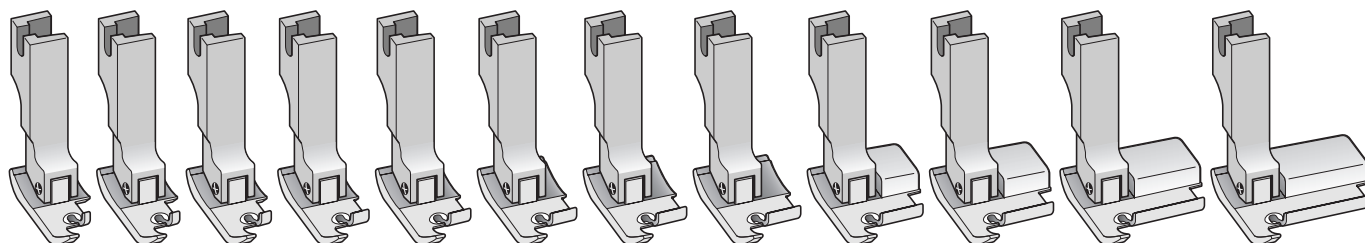
FÜSSE FÜR EINFASER UND SÄUMER  
滚边及褶边压脚

**SUISEI**®

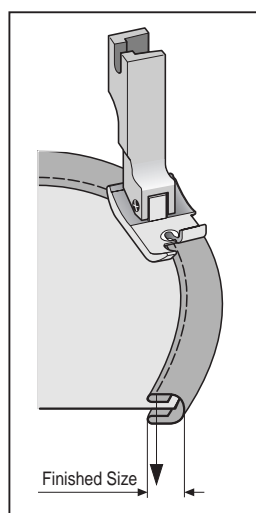
## SA40~SA250 Hinged Binding Feet

NIVEL JALAT

SA40 SA45 SA55 SA65 SA75 SA85 SA95 SA105 SA130 SA150 SA200 SA250



6mm ↓ 2.5mm 6mm ↓ 3mm 6mm ↓ 4mm 6mm ↓ 5mm 6mm ↓ 6mm 6mm ↓ 7mm 6mm ↓ 8mm 6mm ↓ 9mm 6mm ↓ 11mm 6mm ↓ 13mm 6mm ↓ 18mm 6mm ↓ 22mm



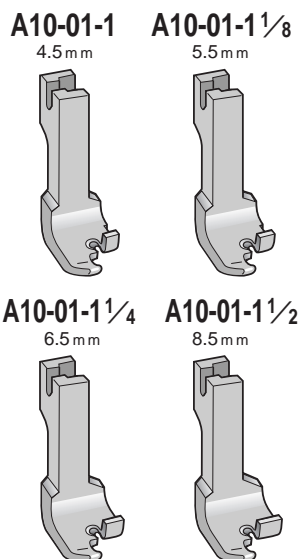
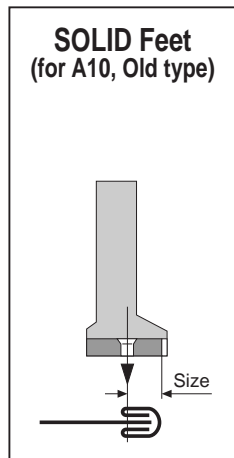
SA...	A10S	A1S	A2S	A4S	A9S	A5S	A5BS	A11S (A110S)
	Bias Tape Sizes	Bias Tape Sizes	Bias Tape Sizes	Tape Sizes	Bias Tape Sizes	Finished Sizes	Finished Sizes	Hem Sizes
SA40	16	20	20	10	—	—	—	—
SA45	18, 20	22	22	—	—	—	—	—
SA55	22, 24	24, 26	24	13	25	5	—	6 mm
SA65	26, 28	28, 30	—	—	28	—	—	—
SA75	30, 32	32	—	16	32	8	8	8 mm
SA85	—	36	—	—	—	—	—	—
SA95	36	40	—	19	—	10	10	10 mm
SA105	40	—	—	22, 25	38	12	12	—
SA130	45	—	—	—	—	—	—	13 mm
SA150	50	—	—	—	—	15, 18	15, 18	15, 18 mm
SA200	—	—	—	—	—	20, 24	20, 24	20 mm
SA250	—	—	—	—	—	30, 40	—	25 mm ~

These feet will be useful, when locating the folder near needle position and sewing easily curving edge are wished.

- The contents in above table may be different from fact because of material thickness or elasticity of tape.
- Binding & folding feet [A10-01-3/4, A10-01-7/8, P386, P38, P34, P344, P3610, P3620] are discontinued. Please refer below recommendation when needing them.

## A10-01-..... Solid Binding Feet for A10 (Old type)

KIINTEÄ ERIKOISJALKA a10 (VANHEMPI MALLI)



A10 - (size)	A10-01 (size)	
16 mm	A10-01-3/4	Discontinued
18 "		
20 "		
22 "	A10-01-7/8	Discontinued
24 "		
26 "	A10-01-1	
28 "		
30 "	A10-01-1 1/8	
32 "		
36 "	A10-01-1 1/4	
40 "		
45 "	A10-01-1 1/2	
50 "		

## Recommendation for Old Feet

SUOSITUKSET VANHOILLE MALLEILLE

P34	→	SA75
P344	→	SA95
P3610	→	SA65
P3613	→	S6060V
P3620	→	SA105
P3625	→	SA150
P386	→	SA55
P38	→	SA65
A10-01- 3/4	→	SA45
A10-01- 7/8	→	SA55
A10-01-1"	→	SA65
A10-01-1" 1/8	→	SA75
A10-01-1" 1/4	→	SA85
A10-01-1" 1/2	→	SA105

# BINDING FEET, ERIKOISJALAT

Attachments

PIEDS POUR BORDEURES ET OURLEUR  
PIES PRENSATELA PARA RIBETADORES

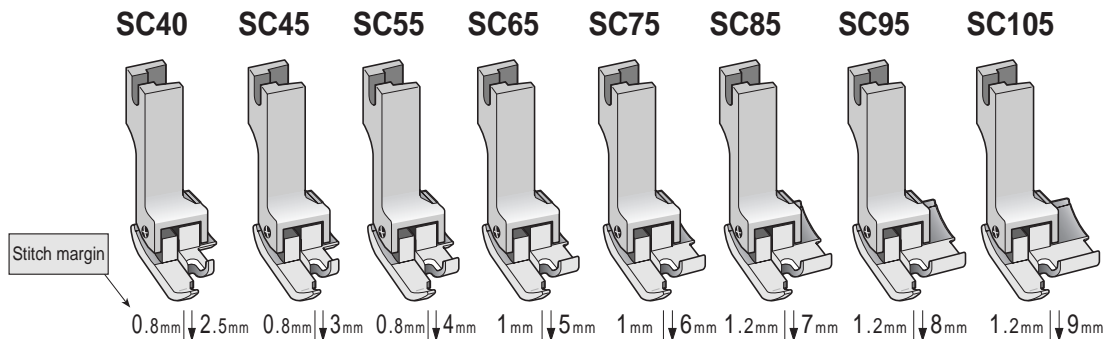
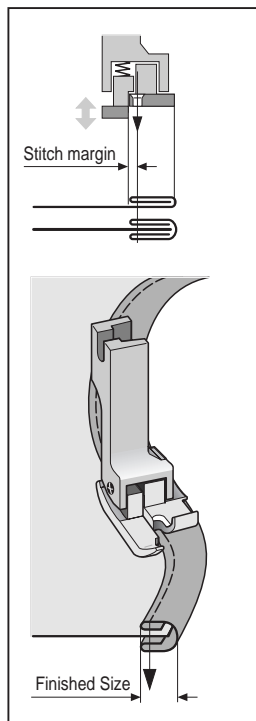
FÜSSE FÜR EINFASER UND SÄUMER  
滾边及褶边压脚

SUISEI®



## SC40~SC105 Compensating Binding Feet

ERITASOPAININJALKA



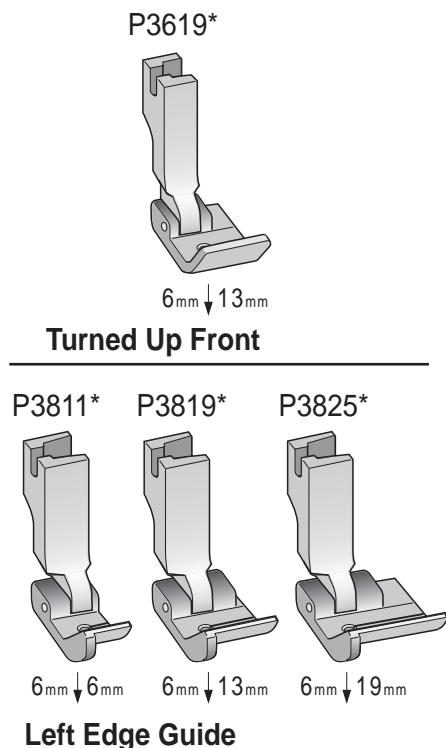
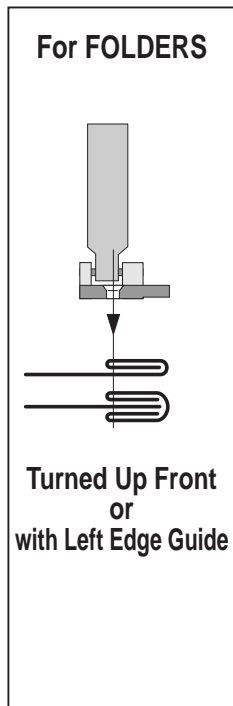
SC...	A10S	A1S	A2S	A4S	A9S	A5S		A5BS	A11S (A110S)
	Bias Tape Sizes	Bias Tape Sizes	Bias Tape Sizes	Tape Sizes	Bias Tape Sizes	Finished Sizes	Finished Sizes	Finished Sizes	Hem Sizes
SC40	16	20	20	10	—	—	—	—	—
SC45	18, 20	22	22	—	—	—	—	—	—
SC55	22, 24	24, 26	24	13	25	5	—	—	6 mm
SC65	26, 28	28, 30	—	—	28	—	—	—	—
SC75	30, 32	32	—	16	32	8	8	—	8 mm
SC85	—	36	—	—	—	—	—	—	—
SC95	36	40	—	19	—	10	10	—	10 mm
SC105	40,45,50	—	—	22, 25	38	12 ~	12 ~	—	13 mm ~

These feet keep much stabler stitch margin because left guide shoe holds edge of binding or hemming.

- The contents in above table may be different from fact because of material thickness or elasticity of tape.
- Compensating binding feet [CB3/4, CB1, CB1.1/4] are discontinued.

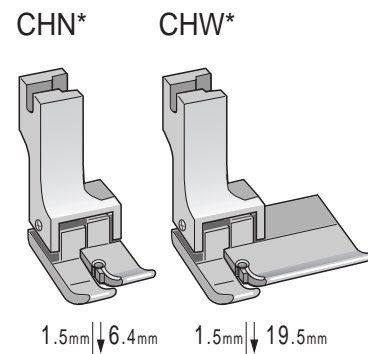
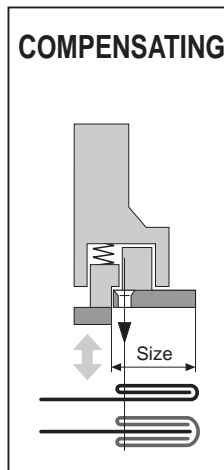
## P3619, P38\*\* Hemming & Folding Feet

PÄÄRMÄYS JA TAITE



## CHN, CHW Hemming & Folding Feet

PÄÄRMÄYS JA TAITE



- These feet [CHN, CHW] will be discontinued in the future, and then new compensating binding feet [SC40~SC105] are recommended for them.