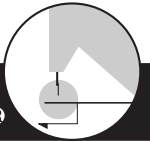


PIPING FEET, TEREPAININJALAT

Attachments



PIEDS POUR POSE DE CORDONNET

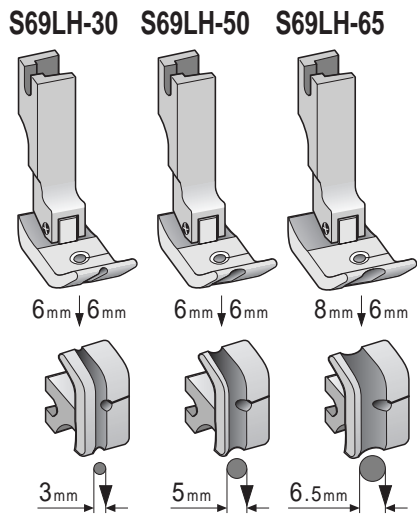
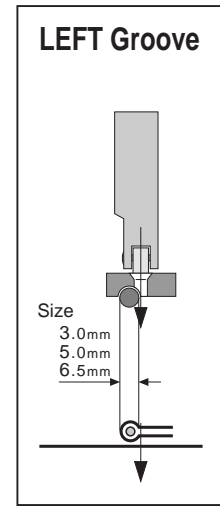
KORDELFÜSSE

PIES PRENSATELA PARA COSER VIVOS DE CORDÓN

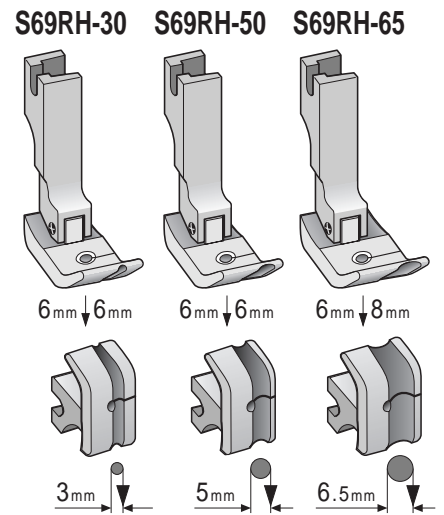
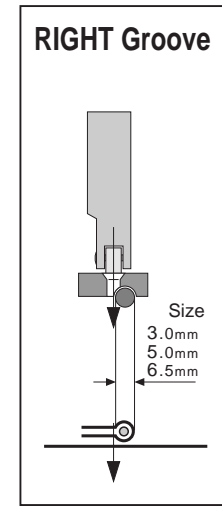
附帶沟的压脚

SUISEI®

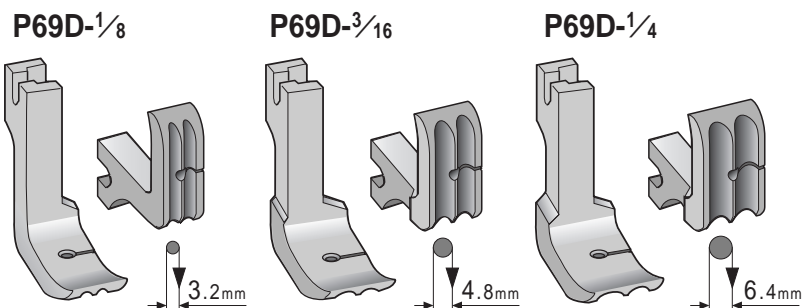
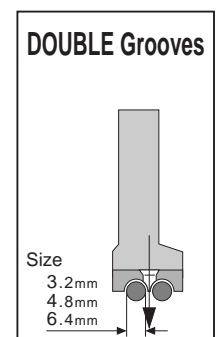
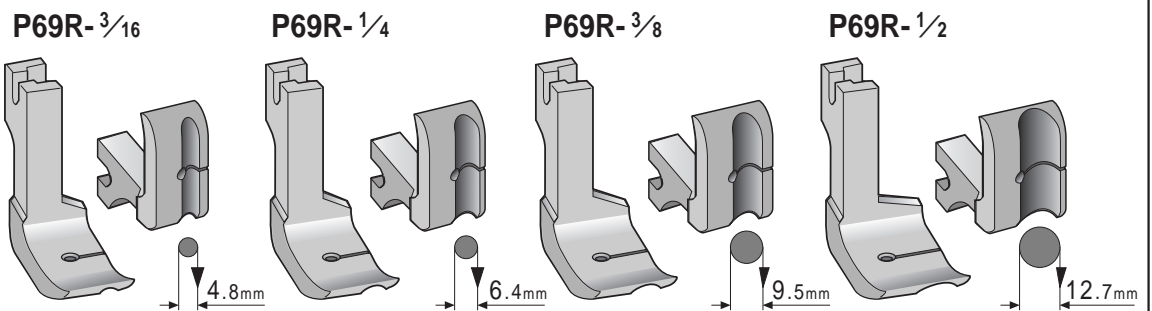
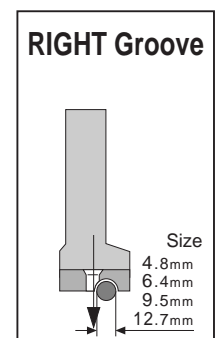
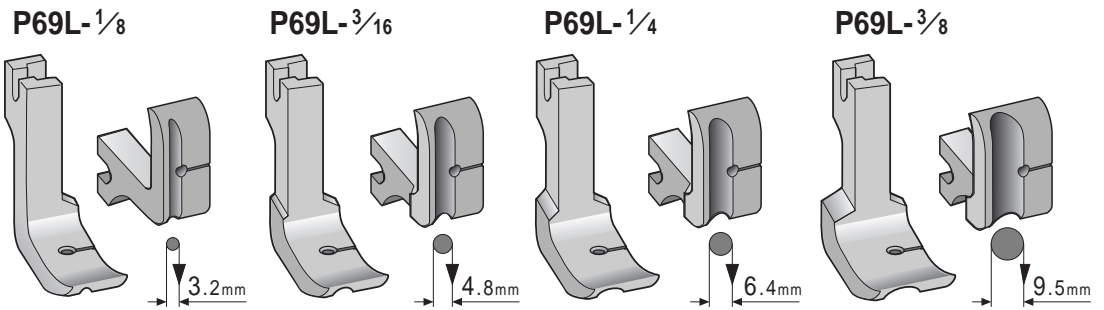
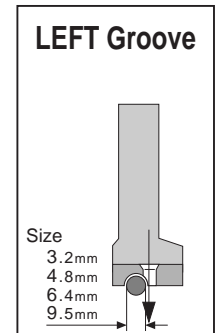
S69LH- 30,50,65 Hinged Piping Feet <Left> TEREPAININJALKA, VASEN



S69RH- 30,50,65 Hinged Piping Feet <Right> TEREPAININJALKA, OIKEA

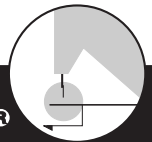


P69L-... , P69R-... , P69D-... Solid Piping Feet <Left> <Right> <Double> TEREPAININJALKA, VASEN, OIKEA, KAKSOIS



SPECIAL PIPING FEET, ERIKOISTEREPAININJALAT

Attachments

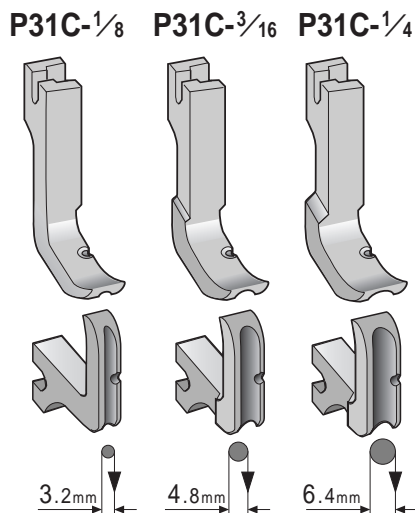
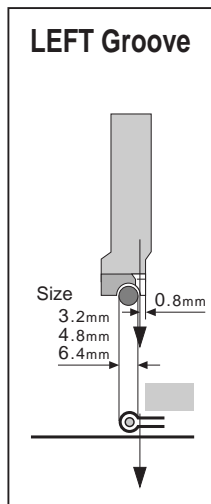


PIEDS SPECIAL POUR POSE CORDONNET
PIES PRENSATELA ESPECIAL PARA COSER VIVOS DE CORDÓN

SPEZIAL-KORDELFÜSSE
附帶沟的特殊压脚

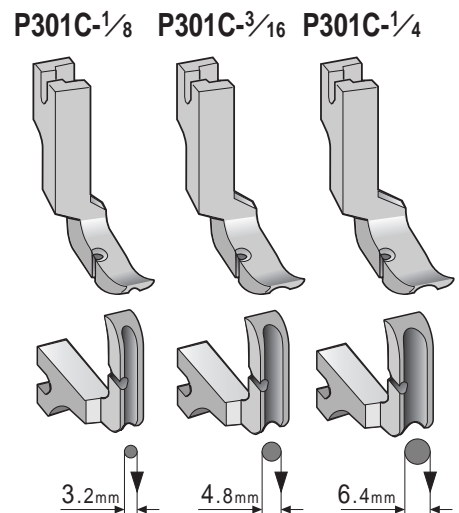
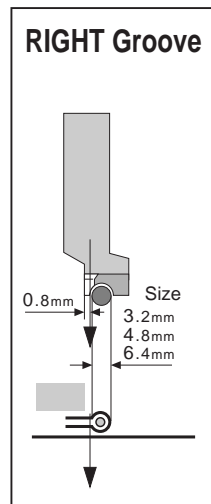
SUISEI®

P31C-... Special Piping Feet <Left> ERIKOISTEREPAININJALKA, VASEN



- These feet are appropriate to sewing when there are some obstacles (ex. zipper) or when a side roller is installed at **right side**.

P301C-... Special Piping Feet <Right> ERIKOISTEREPAININJALKA, OIKEA



- These feet are appropriate to sewing when there are some obstacles (ex. zipper) or when a side roller is installed at **left side**.

BIAS PIPING FEET, TEREPAININJALAT

Attachments

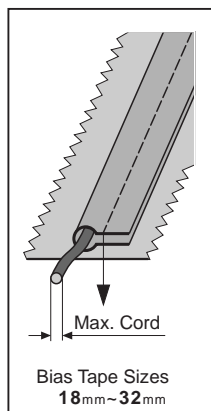


PIEDS POUR POSE DE BIAIS
PIES PRENSATELA PARA ADORNAR CON CORDÓN

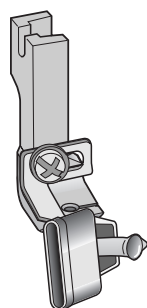
SCHRÄGBAND-KORDELFÜSSE
附帶沟的特殊压脚

SUISEI®

A20- 18~32 Bias Cord Piping Foot TEREPAININJALKA



A20-18-32



Bias Tape Sizes	Max. Cord
18 mm	3.0 mm
20 "	
22 "	
24 "	3.5 mm
26 "	
28 "	
32 "	

- Regular set is fixed **P37**. If it is not appropriate to the finish, please change to **P37M** or **P37W** feet are also available at extra cost.

P37, P37M, P37W Special Piping Feet for "A20" ERIKOISTEREPAININJALKA A20:LLE

